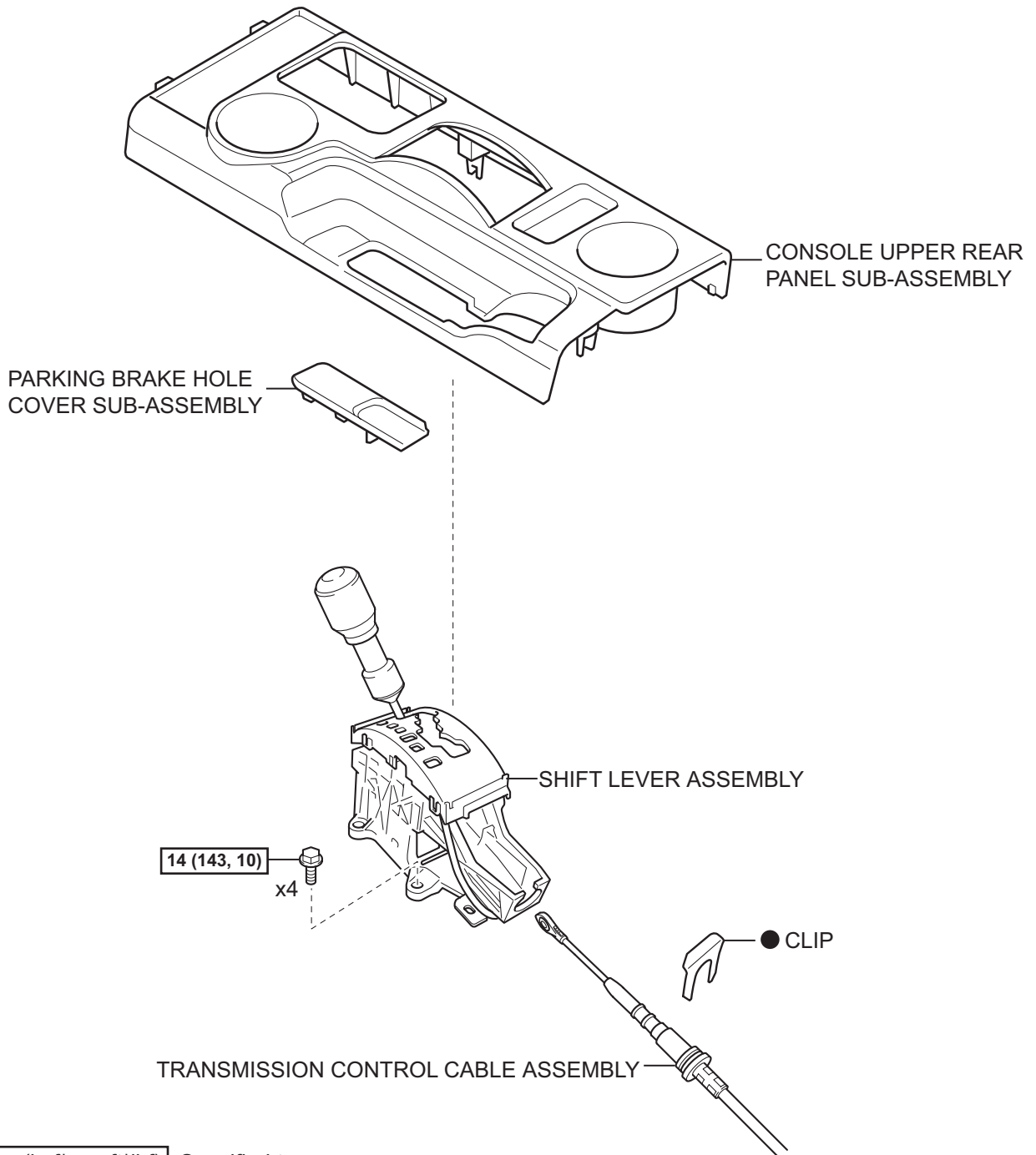


FLOOR SHIFT ASSEMBLY

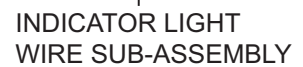
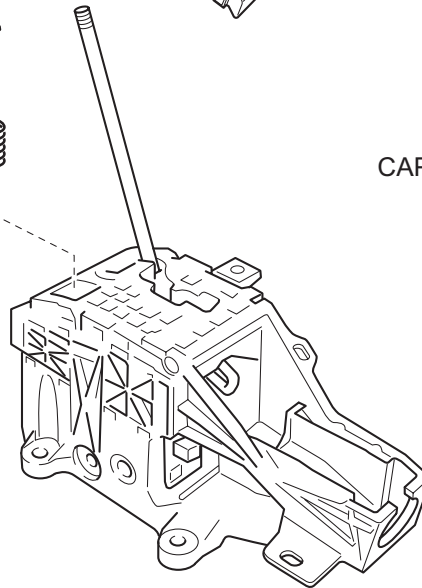
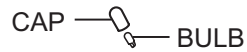
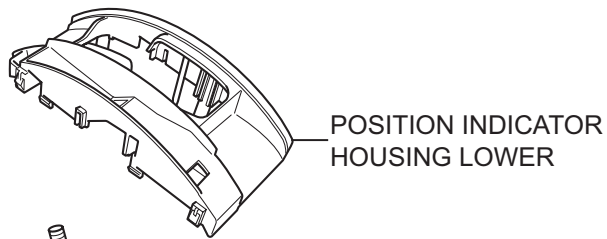
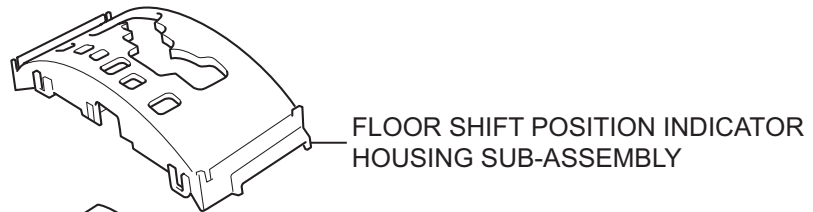
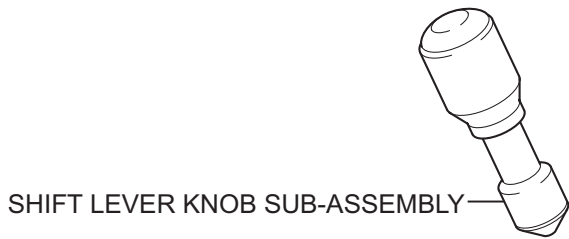
COMPONENTS



14 (143, 10) : Specified torque

● Non-reusable part

AT



AT